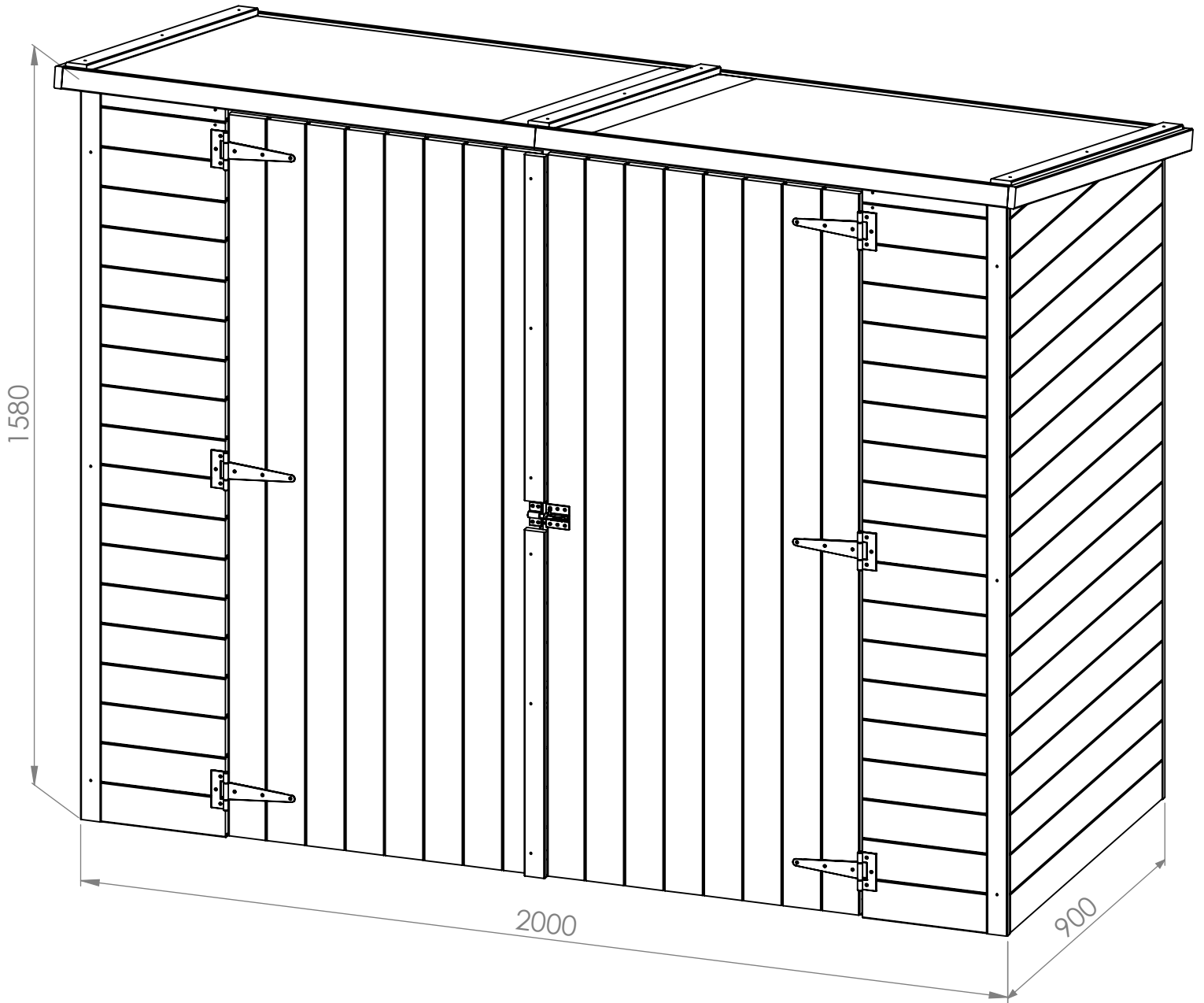
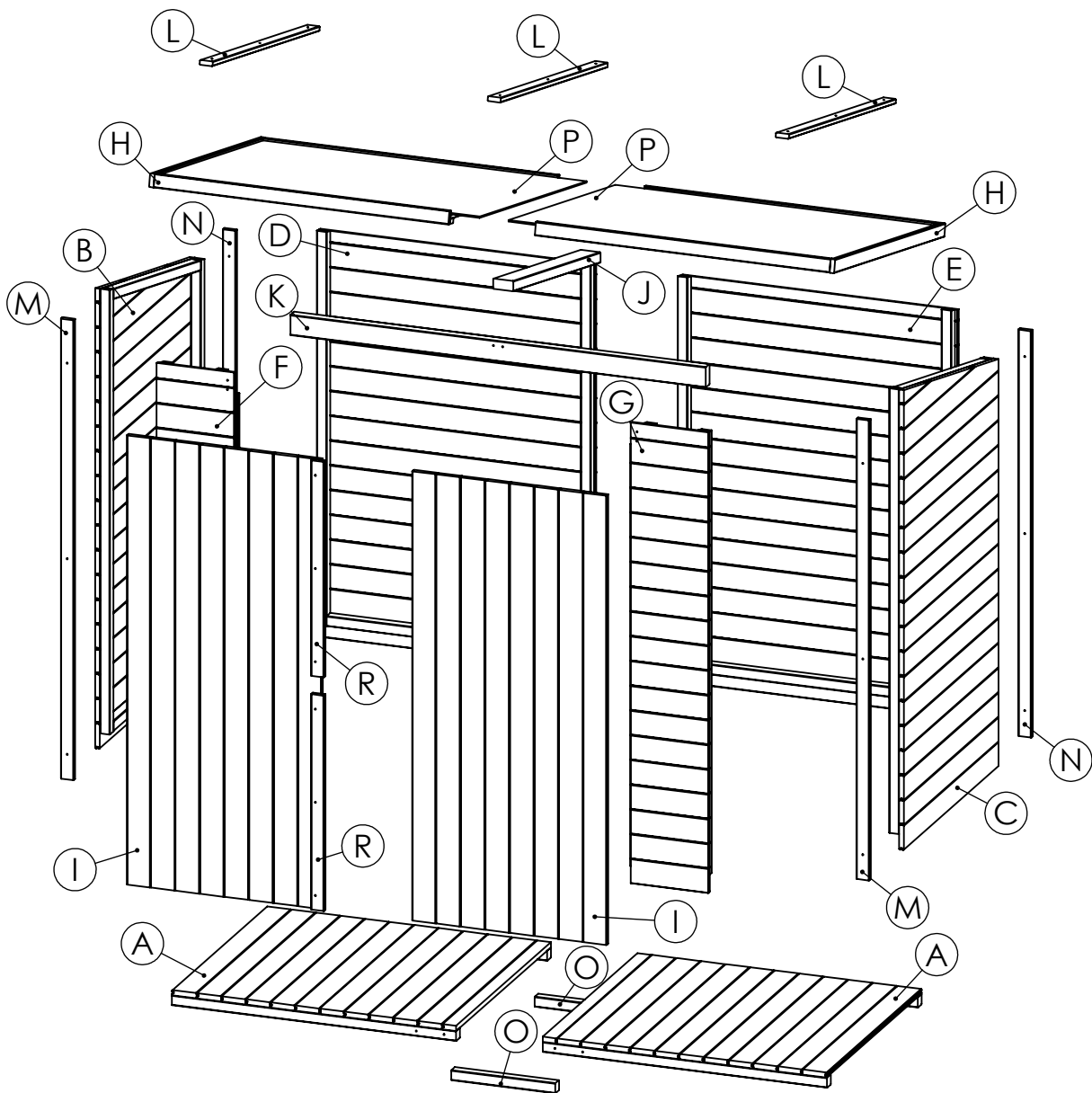


WESTERWALD



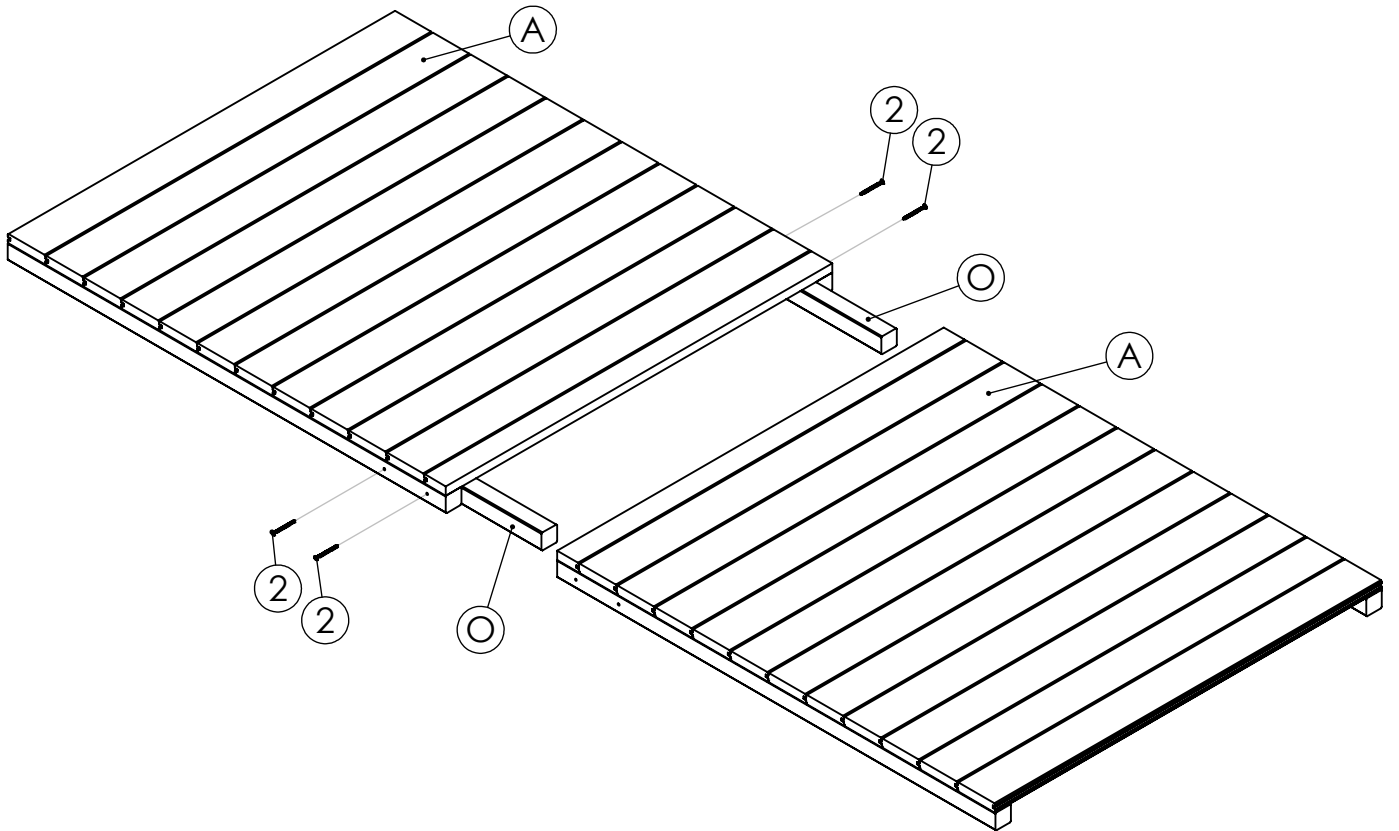
WESTERWALD



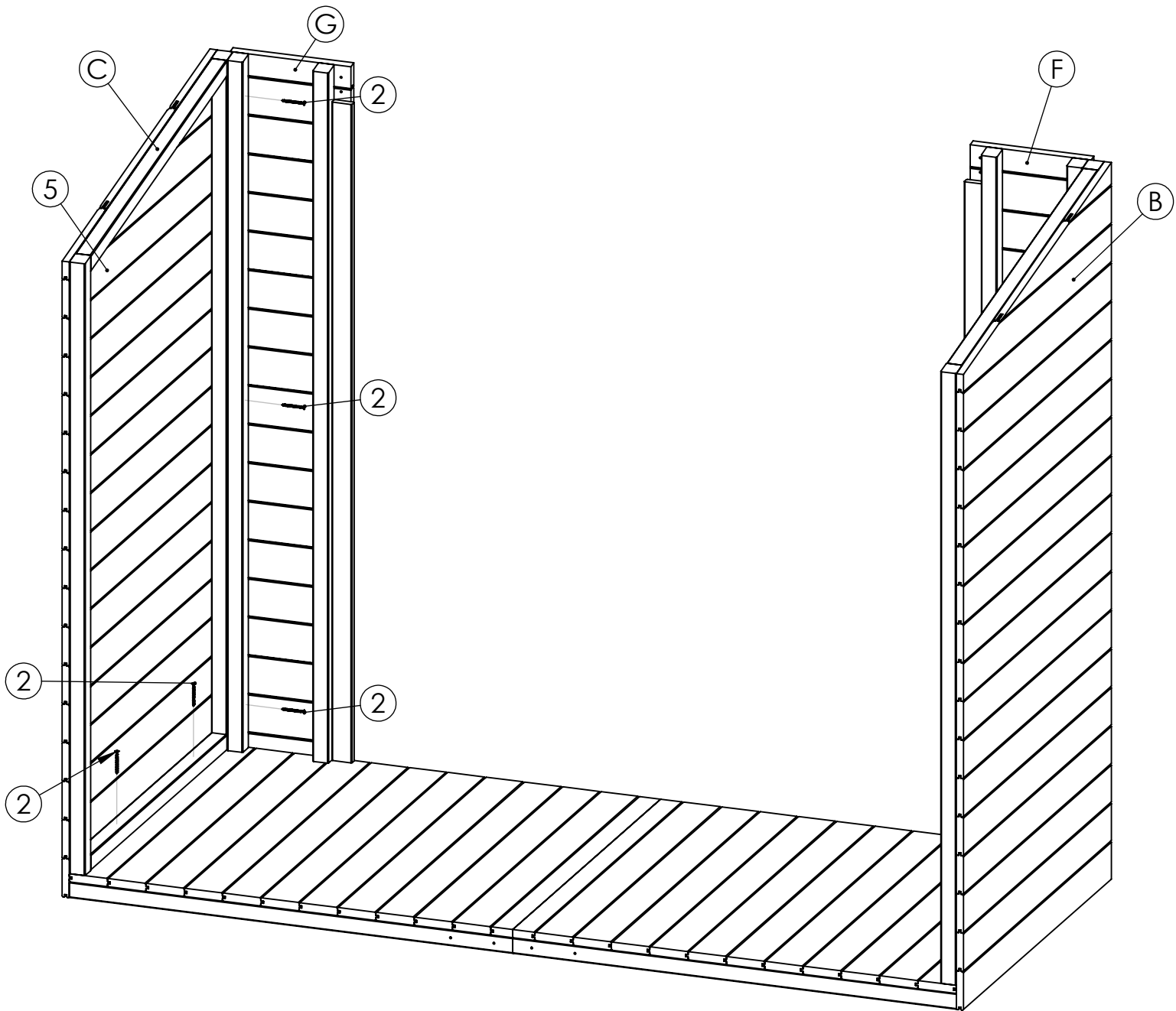
PART NUMBER	PART NAME	QUANTITY
A	FLOOR	2
B	LEFT SIDE WALL	1
C	WALL RIGHT SIDE	1
D	WALL BACK LEFT	1
E	WALL RIGHT BACK	1
F	LEFT FRONT WALL	1
G	WALL RIGHT FRONT	1
H	ROOF	2
I	DOOR	1
J	RAIL 35x70x823-SLANT	1
K	RAIL 35x70x1438	1
L	STRIP 16x45x1000	3
M	STRIP 16x45x1580	2
N	STRIP 16x45x1396	2
O	RAIL 35x35x360	2
P	COVERING	2
R	STRIP 16x45x740	2

FERRULES:

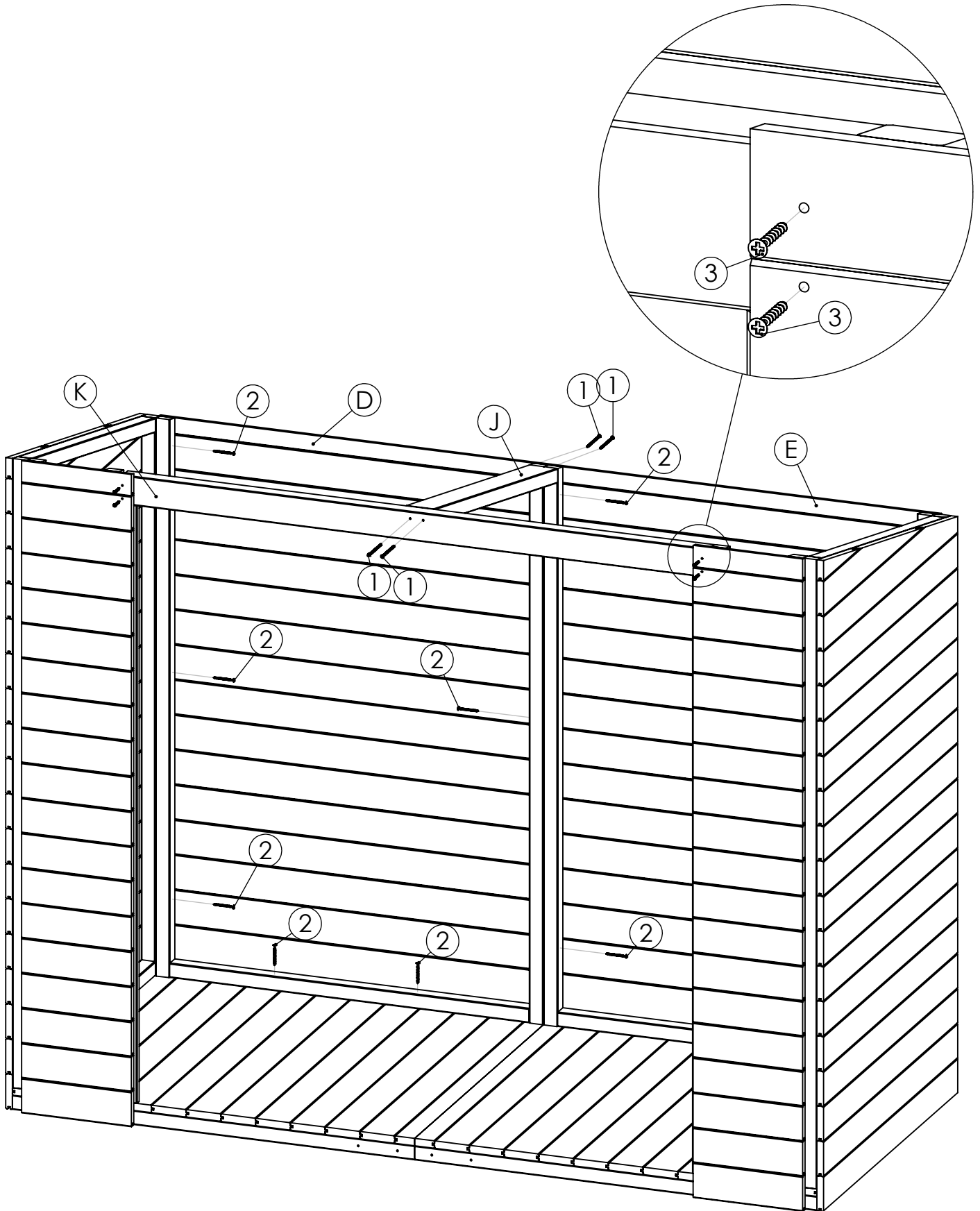
NUMBER FERRULES	NAME OF FERRULES	QUANTITY
1	SCREW 3,5x80	4
2	SCREW 3,5x50	31
3	SCREW 3,5x30	27
4	SCREW 3x16	48
5	HINGE	6
6	LATCHES HIGH	1
7	LATCHES LITTLE	1



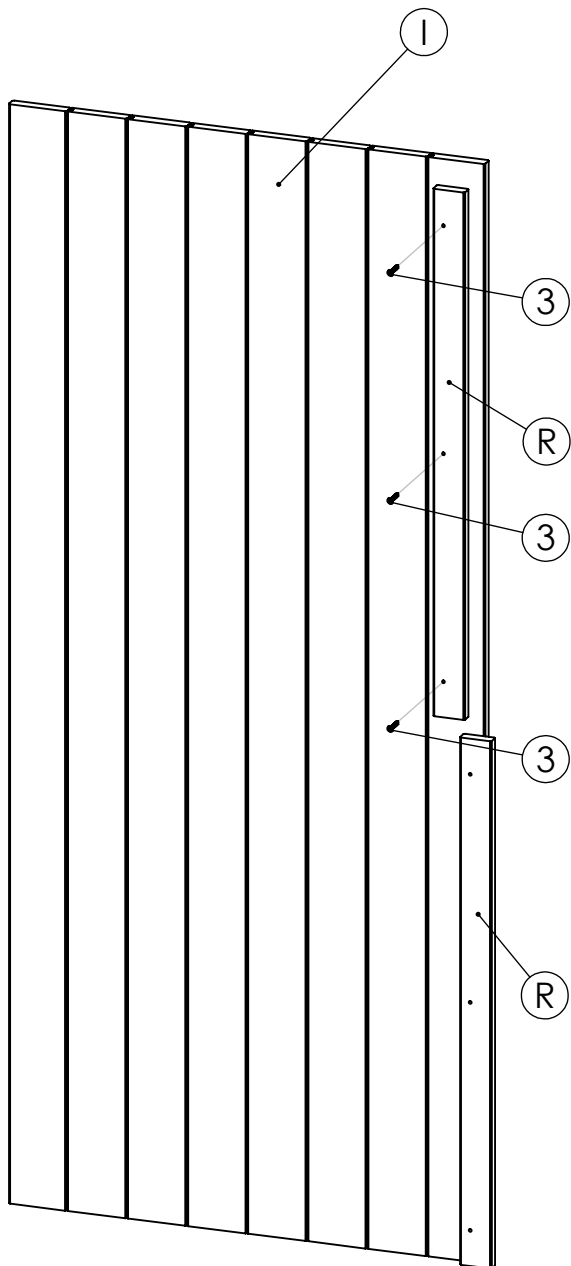
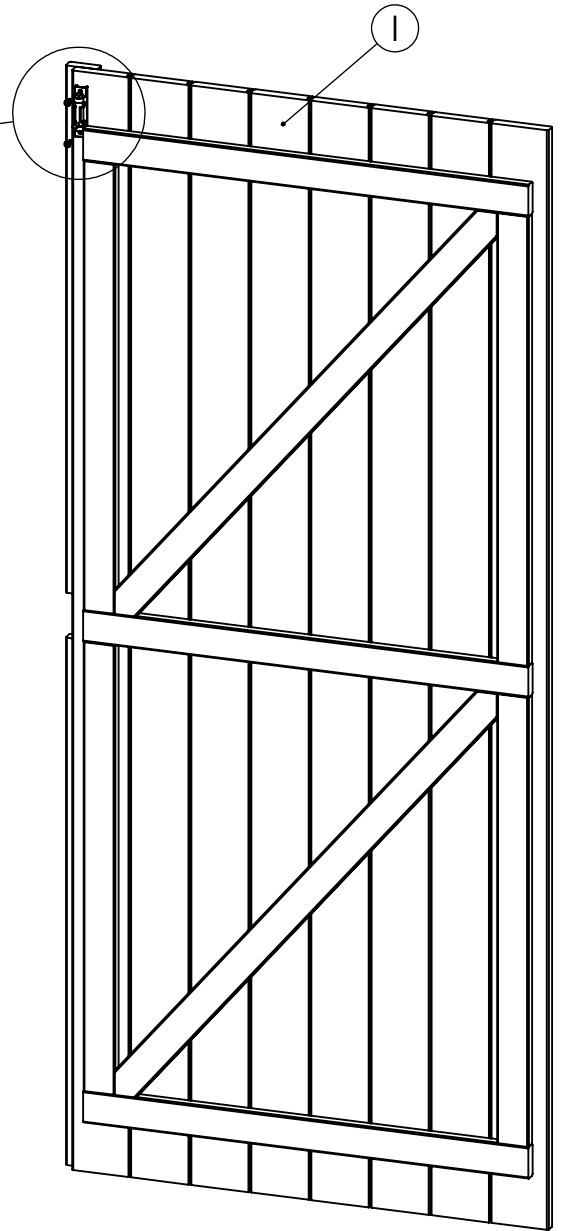
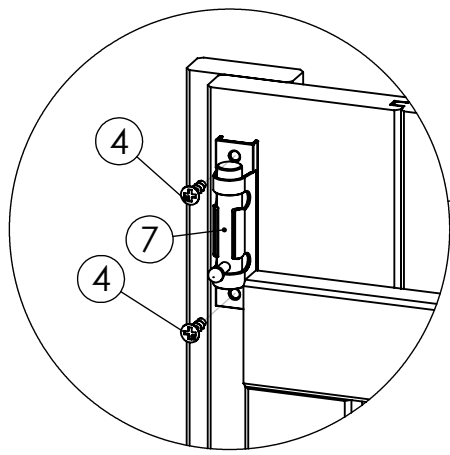
NAME OF FERRULES	QUANTITY
SCREW 3,5x50	8



NAME OF FERRULES	QUANTITY
SCREW 3,5x50	10

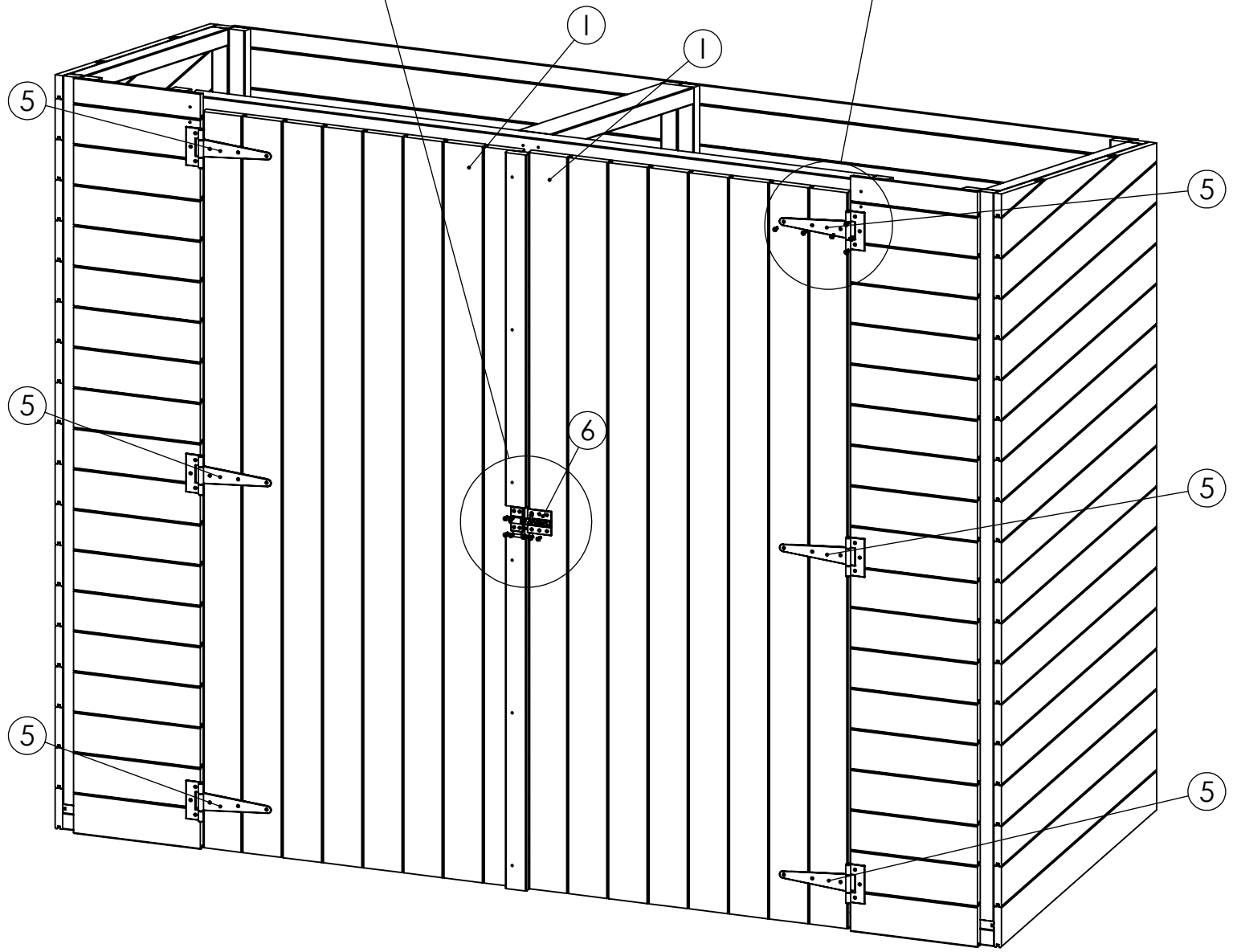
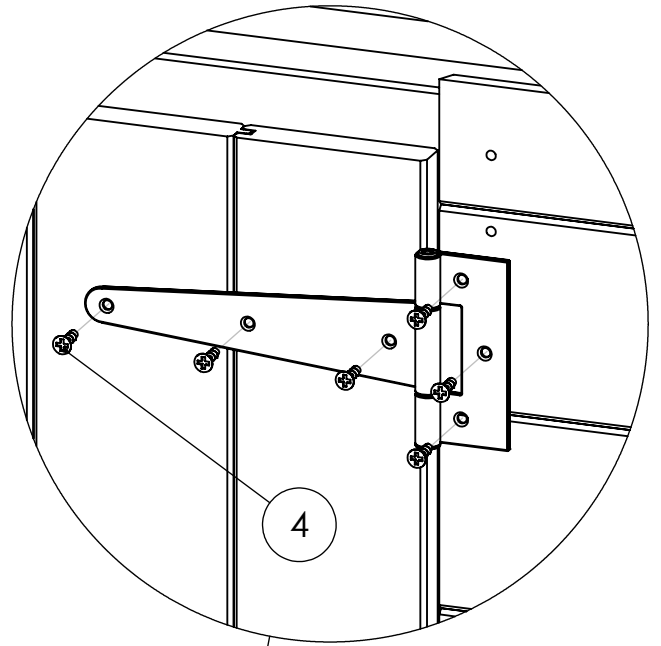
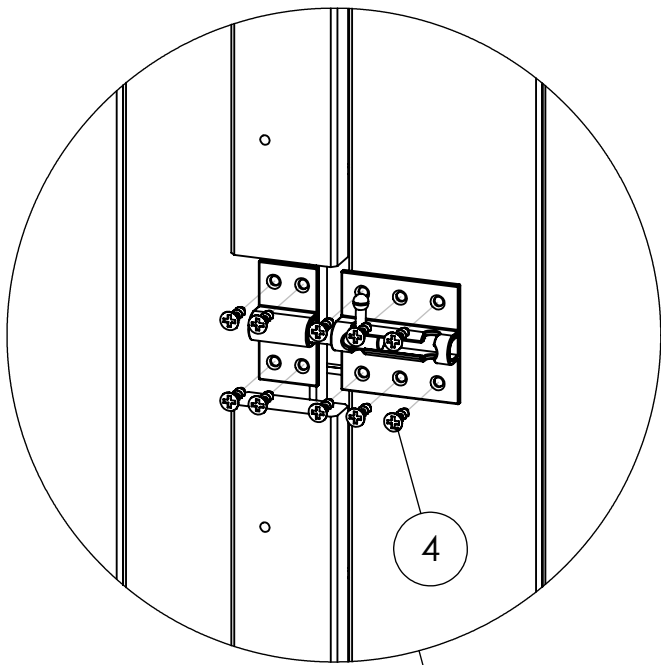


NAME OF FERRULES	QUANTITY
SCREW 3,5x80	4
SCREW 3,5x50	13
SCREW 3,5x30	4

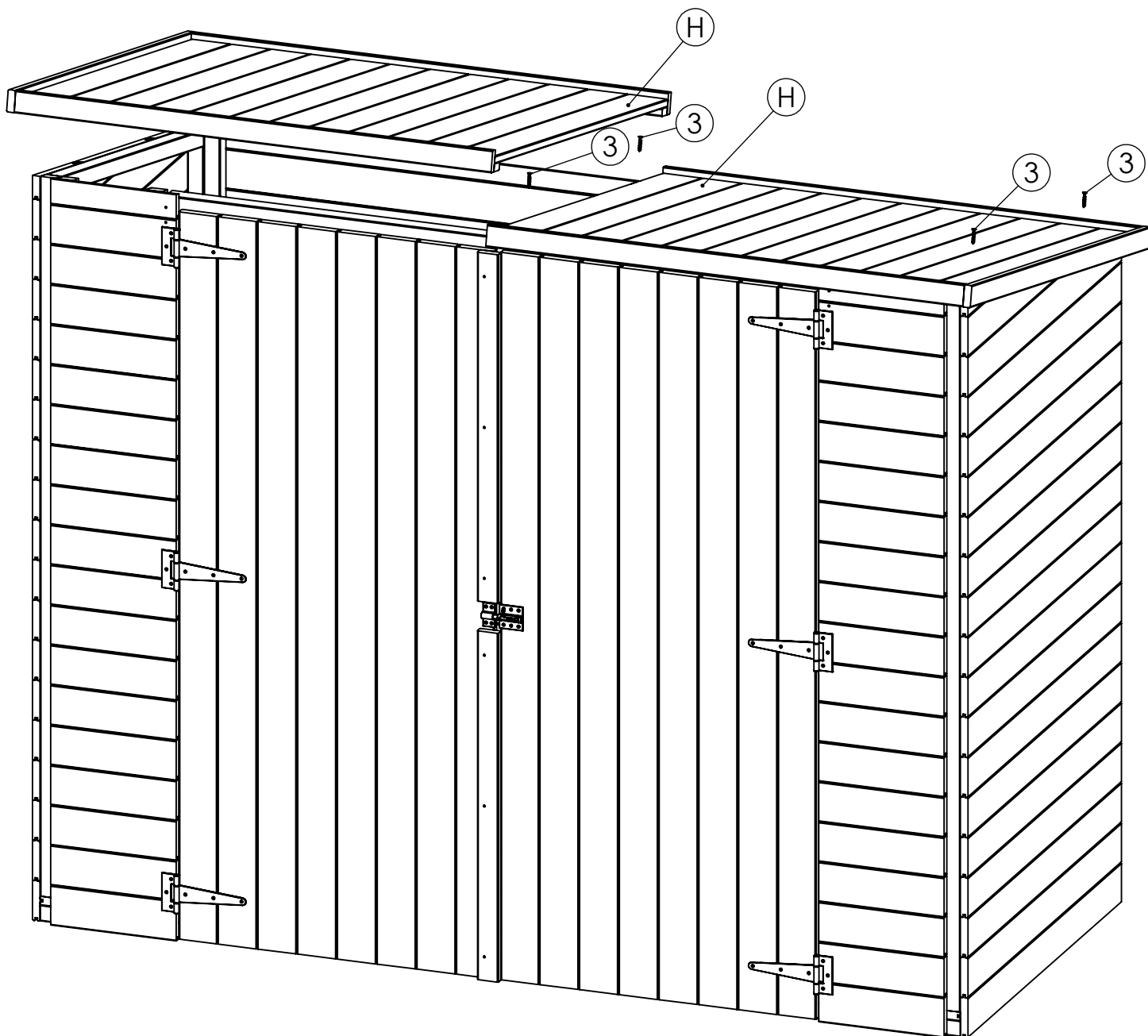


NAME OF FERRULES	NAME OF FERRULES
SCREW 3x16	2
SCREW 3,5x30	6
LATCHES LITTLE	1

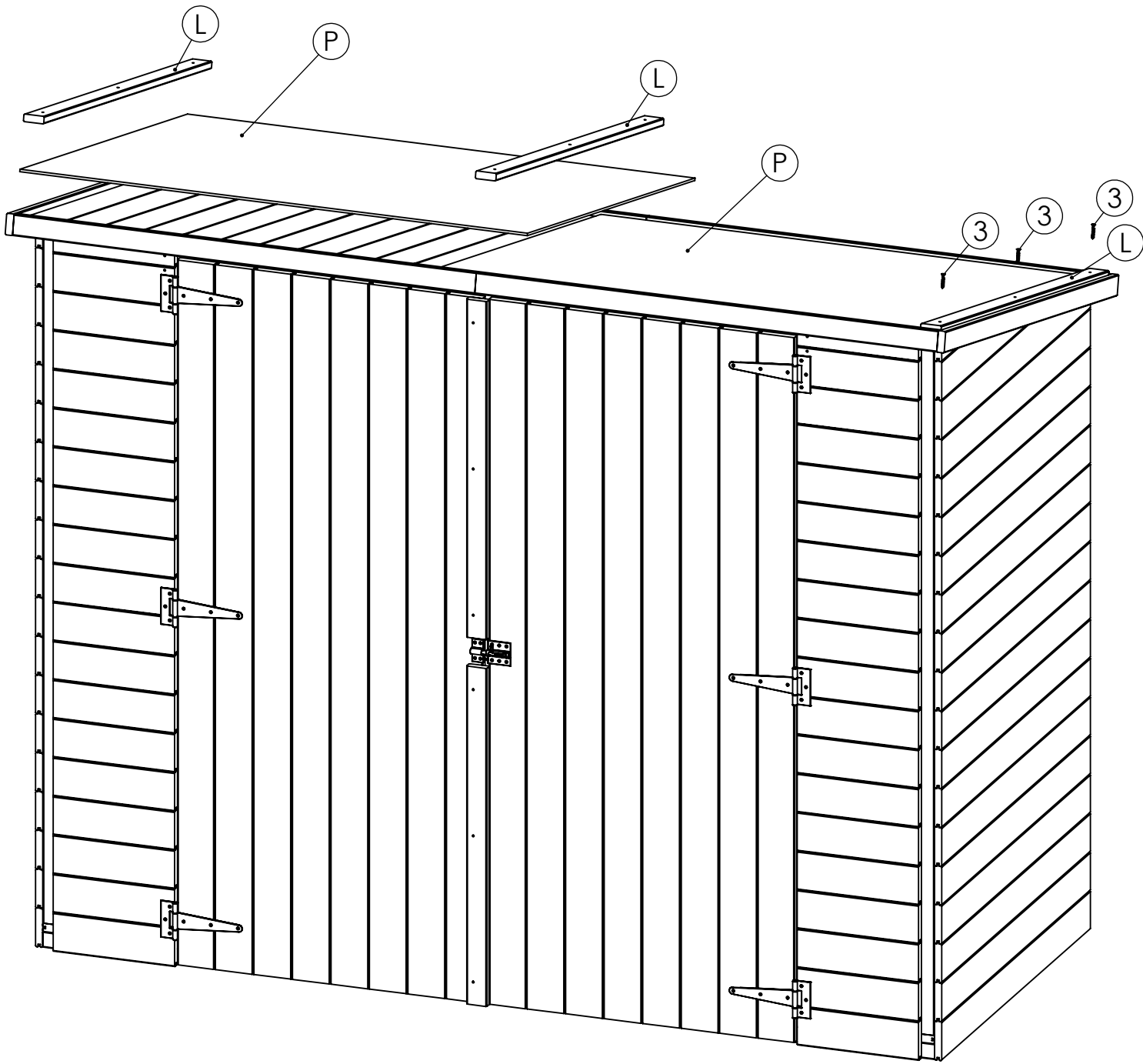
ONLY ONE DOOR



NAME OF FERRULES	QUANTITY
SCREW 3x16	46
HINGE	6
LATCHES HIGH	1



NAME OF FERRULES	QUANTITY
SCREW 3,5x30	8



NAME OF FERRULES	QUANTITY
SCREW 3,5x30	9